

ET8-FAB

LED T8 4-FT Tube 5-Wattages + 5-CCT (35/40/50/57/65K), 22W Max, Damp Rated, 140 lm/W, G13, Type A+B, Single + Double Ended Power

: 95H F9G

@ a Yb'Ci ldi h Fl €€Á ÁH€ €Á { ^ } •
9 ZZYUWm Fl €Á €Y
•bdi hJc'luY FG€€€ İ X
8 fJj Yf V'] ^ÁÉÓÁÇ' æÁT [á^ÁÇ'ç!) æÁÖ! æ^ÁDÁ
•bglU'Ujcb Úá *^Á:ÁÖ [~ á^ÁÖ) á^áÁÚ [, ^ÁÁ^] ^ÁÖÁ
8 Ja a WY Ç' ÁÇáæ ÜÁV' ^ÁÖÁÇ [D
GjnY l ÈV
77H Ú^Á^&çí €ESB €ESB €ESB İ €ESB í €ESDÁ
FUj b Öæ] ÁÇ &æá }
K UfUblm í Á^æ•

5 DD@75 HC BG
 Ú^Á{ á { Áá [[Á^] æÁ { ^ } Öæ] Áç') á^áÁ Á^] æÁÁ Á [ÖÁ í Á:ÁFGÁ
 + [] ^•&ç' Öæ] • Á @ÖFHÁ) á^æç • Á^ í Áá ^æÁæç] Áæç í ^•ÉÁÚ ææá^Á í Á^•Á
 á Áá ^æÁ [~^!•ÉÁ í áç æ [~] á•Éá áÁ Ç] Áá @ É

7 CBGHI 7 HCB
 T æ ~ æç í^áÁ í Á^] æáæç Áæ áÁ@ æáá• á æá } Á•á * Áç { á ~ { Á @^ÖÁ
 áæá á * ÉÖæ] ÁÇ &æá } ÁæááÉ

9 @7HF 75 @
 Ç' ~ Öç [çé ^ÁFG€€€ İ XÁ [[á^•ÉÁV' ^ÁÖÉÖÉ^ áí æÁ] * Áæ áÁ | æ ÁÇ Á] ^í æÁÁ
 , æÇÁ í Á æÇ' çæáæç çÁÚá *^Á:ÁÖ [~ á^ÁÖ) á^áÁÚ [, ^ÁÁ^ • çáæá } • Á^ í ÖFHÁ
 ^) á^æç • ÉÖá { æá^Á æÁV'] ^ÁÖÁ ^Áæáæ çá [] Éá { æá^Á æÁV'] ^ÁÖÁ
 á ç') æÁí ç^ÁÉÁV' } æá^Á ÉÖVÁÇí €ESB €ESB €ESB İ €ESB í €ESDá áÁ
 V' } æá^Á
 í ÉY ææç ^•ÉÁÚ] ^í æá * Áç [] ^í æç í ^•Áí »ÖÁ ÁFH»ÖÁÇ»ÖÁ í Áí »ÖÉ

ACI BHB;
 Ú^] æÁ { ^ } Öæ] Áç' á çí & • Áç ç Á ç ç á * Áá ^æÁV í Áç] Áæç í ÁÉ

CDH7 G
 Ú@æç í Á^• á çæ çá çÁVÁÖ [• ç^áÁÚ [| &çá [] æÁÁ^) • Á æÇí €»Á^æç Áæç *^ÉÁ

7 CBHFC @
 Ö [{] æá^Á æÁU^BÖÖÁ &&] çé & Á^) • [í • ÉÁ

@GHB; G
 ÖSÖÁ ç^áÉÖVÁ&çá áÁ Á ^Á^ÁVÁá áÁÖæ æáá Á çæ áæá• ÉÖÖÁá áÁÚ [PÚÁ
 & [] | æç É

K 5 FF5 BHM
 í Á^æÁççí • ç^Áá ç^áá çáç ç É



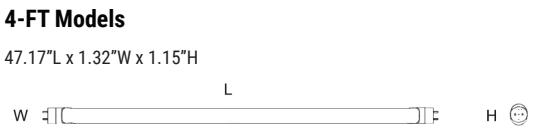
4-FT Models



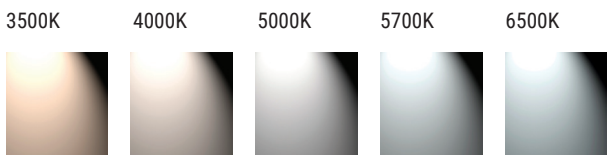
5-Wattages and 5-CCT Tuning Switches



PHYSICAL DIMENSIONS



TUNABLE CORRELATED COLOR TEMPERATURES (CCT)



ORDERING INFORMATION

Model	Size	Type	Wattage	Voltage	Current	Lumens	Efficacy	CCT	Dimming	Color	Dimensions
ET8-FAB-22W-TCP	4-FT	G13	(10W, 12W, 15W, 18W, 22W)	120-277V	0.09A@120V, 0.04A@277V 0.11A@120V, 0.05A@277V 0.14A@120V, 0.06A@277V 0.17A@120V, 0.07A@277V 0.20A@120V, 0.09A@277V	1400 1680 2100 2520 3080	140 lm/W	(3500K, 4000K, 5000K, 5700K, 6500K)	Type A (By Ballast) Type B (No)	White w/ Silver	47.17"L x 1.32"W x 1.15"H

SPECIFICATIONS

ENERGY DATA

Input Voltage: 120-277V

Input Frequency: 50/60 Hz

Wattage: 5-Wattages (22W Max)

Power Factor: >0.9

Total Harmonic Distortion (THD): <15%

Operating Temperature: -4°F to 113°F (-20°C to 45°C)

LIGHTING DATA

Lumens: 1400 to 3080

Lumens Per Watt: 140 lm/W

Correlated Color Temperature (CCT): 5-CCT (35K, 40K, 50K, 57K, 65K) **Dimmable:** Type A (By Ballast), Type B (No)

Color Rendering Index (CRI): 85

L70: 50000 hours

INSTALLATION GUIDE

SAFETY PRECAUTIONS

For everyone's safety, please read this section carefully before installation:

1. The product should be installed by a qualified electrician.
2. Do not use a non-compatible LED driver with the product.

TYPE A INSTALLATION* - Direct Replacement (Using an Existing Ballast)

*Warning: Check the Ballast Compatibility List before installation

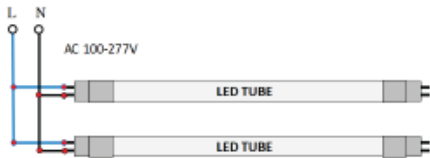
1. Turn off the luminaire.
2. Remove the diffuser or open the swing-arm door if applicable.
3. Remove the existing fluorescent lamp(s) from the luminaire.
4. Place the LED T8 Tube(s) into the G13 tombstones and gently twist to lock.
5. Place the diffuser back on or close the swing-arm door if applicable.
6. Turn on the luminaire.

TYPE B INSTALLATION - By-Pass Replacement (Without Ballast)

1. Disconnect the power from the luminaire.
2. Remove the diffuser or open the swing-arm door if applicable.
3. Remove the existing fluorescent lamp(s) from the luminaire.
4. Remove the driver cover if applicable.
5. Cut all wires connected to the ballast (see Figure B).
6. Connect for Single or Double-ended Power (see Figure C).
7. Place the driver cover back on if applicable.
8. Select Wattage and Color Temperature on the LED T8 Tube(s) (see Figure D)
9. Place the LED T8 Tube(s) into the G13 tombstones and gently twist to lock.
10. Place the diffuser back on or close the swing-arm door if applicable.
11. Turn on the luminaire.

Figure C: Single or Double-Ended Power Connection

Single-Ended Power



Double-Ended Power

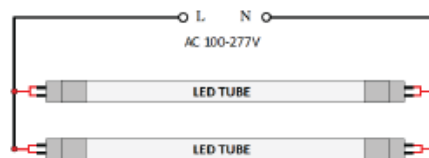
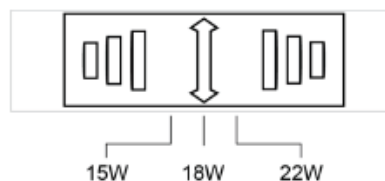
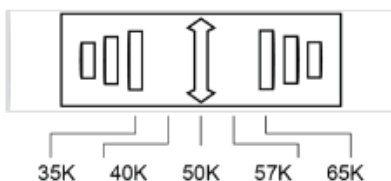


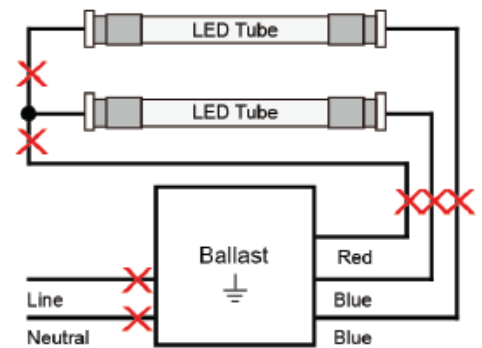
Figure D: Selectable Switches



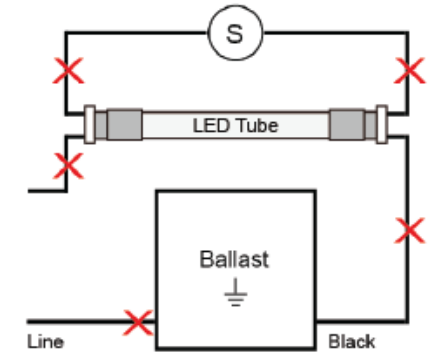
Slide switches (left or right) to select the desired color temperature and wattage.

Figure B: Typical Ballast Configurations

Instant Start



Preheat with Starter



Program Start

