

ECEMXTE

Remote Capable Thermoplastic Exit Sign

ILLUMINATION

- Ultra-bright, energy efficient, long-life Red or Green LED EXIT sign illumination.

ELECTRICAL

- Dual 120/277 voltage.
- Unique bi-color LED indicator light alerts occupant on battery condition (Green-normal, Red-check battery).
- Charge rate/power "ON" LED indicator light and push-to-test switch for mandated code compliance testing.
- 3.6V long life, maintenance-free, rechargeable NiCd battery.
- 5.5W of remote capacity standard.
- Internal solid-state transfer switch automatically connects the internal battery to LED board and connected LED lamp heads for minimum 90-minute emergency illumination.
- Fully automatic solid-state, two rate charger initiates battery charging to recharge a discharged battery in 24 hours.

MOUNTING:

- Mounting canopy included for top or end mount.
- Universal knockout pattern on back plate for wall mount.

HOUSING:

- Injection-molded, engineering grade, 5VA flame retardant, high-impact resistant, thermoplastic in white or black finish.
- Snap-out Chevron directional indicators.

OPTIONS

- SDT: Self-diagnostic feature performs monthly, biannual, and annual tests to ensure reliable operation and meet electrical and life safety codes. Universal 120-277 voltage

WARRANTY / LISTING:

- Five-year warranty on all electronics and housing. Battery prorated for five years.
- Meets UL924, NFPA 101 Life Safety Code, NEC, OSHA, Local and State Codes.
- UL Listed for damp locations (0°C – 50°C).
- Certified to CEC under Title 20 Regulations.

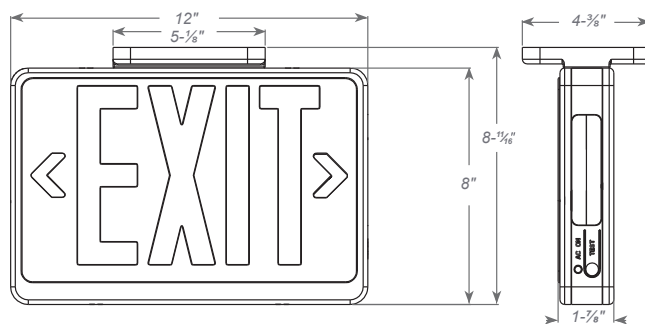
STANDARD



OPTIONAL



DIMENSIONS



ELECTRICAL INFORMATION

CATALOG NUMBER	INPUT WATTS (W)		INPUT AMPS (A)	
	120V	277V	120V	277V
ECEM RED/GREEN	1.2	1.2	0.12	0.11
ECEM RED SDT	2.7	2.7	0.32	0.32
ECEM GREEN SDT	2.4	2.4	0.29	0.29

REMOTE LAMP COMPATIBILITY

MODEL NUMBER	BATTERY	REMOTE CAPACITY	COMPATIBLE REMOTE HEAD FAMILY			
			RHLED	MRHLED	RH16LED	SRHLED
ECEM	3.6V	5.5W	X	X		

ORDERING INFORMATION

Sample Part Number: **ECEMXTERW**

MODEL	No. of FACES	LETTER COLOR	HOUSING COLOR	OPTIONS
ECEMXTE	Universal Single/ Double Face	R Red G Green	W White B Black	SDT Self-Diagnostics