

EWPFCLKFS

Full Cut Off Wall Pack - Lumen & Kelvin Field Selectable

STANDARD



FEATURES

- Field selectable 3000k (warm white), 4000k (neutral white), and 5000k (cool white) color temperatures.*
- Long-life LEDs provide at least 70% of initial lumen output (L_{70}) for $\geq 136,000$ hours of operation, and at least 90% of initial lumen output (L_{90}) for $\geq 41,000$ hours of operation.**
- LED chromaticity based on ≤ 5 -step ANSI quadrangles.
- LED color maintenance ≤ 0.003 chromaticity shift ($\Delta u'v'$) over the initial 6,000 hours of operation.
- Provides a range of 5,200 to 16,800 nominal lumens and 130 to 161 nominal lumens per watt (lm/W).
- 0-10vdc dimming drivers are standard.
- Universal 120-277 AC voltage (50-60Hz) is standard.
- Power factor > 0.90 .
- Total harmonic distortion $< 20\%$.
- Color rendering index (R_a) > 80 .
- Cast aluminum housing with dark bronze, powder coat finish.
- Polycarbonate lens.
- Three $\frac{1}{2}$ " NPT threaded openings.
- Easy installation in new construction or retrofit applications.

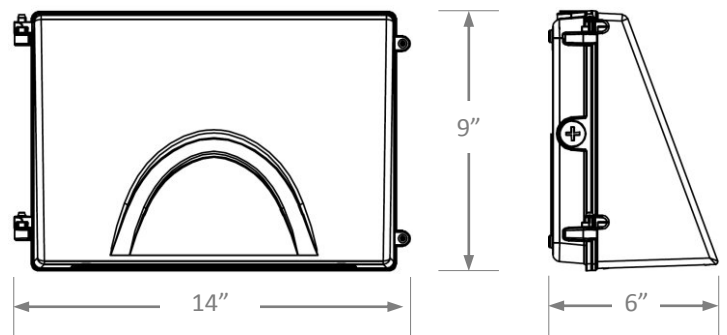
* Contact factory for other color temperatures and lumen packages.
 ** L_{70} & L_{90} hours are IES TM-21-11 calculated hours.



WARRANTY & LISTINGS

- cULus listed for wet locations in ambient temperatures from $-40^{\circ}C$ to $45^{\circ}C$ ($-40^{\circ}F$ to $113^{\circ}F$).
- IP65 rated for ingress protection.
- DLC premium approved.
- Complies with FCC Part 15, class B.
- Surge protection = 4kV.
- 5-year warranty of all electronics and housing.

DIMENSIONS



Weight: 8L = 5 lbs / 15L = 5 lbs

ORDERING INFORMATION

Example: EWPFCL15L-LKFS-P

| Series | Nominal Lumen Output | | Select | Photocell | |
|--------|----------------------|---------------|--------|-----------|------------------|
| EWPFCL | 8L | 8,000 lumens | LKFS | B | Button photocell |
| | 15L | 15,000 lumens | | P | Pencil photocell |
| | | | | Blank | No photocell |

ELECTRICAL DATA

| Series | Measurements | Low Lumens | | | Mid Lumens | | | High Lumens | | |
|---------------|-------------------|--------------|--------------|--------------|--------------|--------------|--------------|--------------|--------------|--------------|
| | | 3000K | 4000K | 5000K | 3000K | 4000K | 5000K | 3000K | 4000K | 5000K |
| EWPF8-8L-LKFS | Lumens | 5251 | 5526 | 5722 | 6659 | 7048 | 7198 | 7877 | 8682 | 8552 |
| | Watts | 36 | 35 | 36 | 48 | 46 | 48 | 59 | 57 | 59 |
| | Efficacy | 145 | 161 | 158 | 139 | 156 | 151 | 133 | 152 | 144 |
| | Input Current (A) | 120V = 0.30A | 120V = 0.29A | 120V = 0.30A | 120V = 0.40A | 120V = 0.38A | 120V = 0.40A | 120V = 0.49A | 120V = 0.48A | 120V = 0.49A |
| 240V = 0.15A | | 240V = 0.15A | 240V = 0.15A | 240V = 0.20A | 240V = 0.19A | 240V = 0.20A | 240V = 0.25A | 240V = 0.24A | 240V = 0.25A | |
| 277V = 0.13A | | 277V = 0.13A | 277V = 0.13A | 277V = 0.17A | 277V = 0.17A | 277V = 0.17A | 277V = 0.21A | 277V = 0.21A | 277V = 0.21A | |

| Series | Measurements | Low Lumens | | | Mid Lumens | | | High Lumens | | |
|----------------|-------------------|--------------|--------------|--------------|--------------|--------------|--------------|--------------|--------------|--------------|
| | | 3000K | 4000K | 5000K | 3000K | 4000K | 5000K | 3000K | 4000K | 5000K |
| EWPF8-15L-LKFS | Lumens | 10,352 | 10,987 | 11,227 | 12,850 | 13,760 | 13,916 | 15,065 | 16,848 | 16,374 |
| | Watts | 72 | 71 | 72 | 94 | 92 | 94 | 116 | 113 | 116 |
| | Efficacy | 143 | 159 | 155 | 136 | 154 | 148 | 130 | 149 | 141 |
| | Input Current (A) | 120V = 0.60A | 120V = 0.59A | 120V = 0.60A | 120V = 0.78A | 120V = 0.77A | 120V = 0.78A | 120V = 0.97A | 120V = 0.94A | 120V = 0.97A |
| 240V = 0.30A | | 240V = 0.30A | 240V = 0.30A | 240V = 0.39A | 240V = 0.38A | 240V = 0.39A | 240V = 0.48A | 240V = 0.47A | 240V = 0.48A | |
| 277V = 0.26A | | 277V = 0.26A | 277V = 0.26A | 277V = 0.34A | 277V = 0.33A | 277V = 0.34A | 277V = 0.42A | 277V = 0.41A | 277V = 0.42A | |

PHOTOMETRIC DATA

EWPFC-8L-LKFS

Luminaire Data

| | |
|-----------------------------|--|
| Description | Full Cut Off Wall Pack 8L 5K - LKFS |
| Total Lumens | 8,552 |
| Input Wattage | 59 |
| Efficacy (lm/W) | 145 |
| Max. Cd. | 4088.23 (360H, 29V) |
| IES Classification | Type II |
| Longitudinal Classification | Very Short |

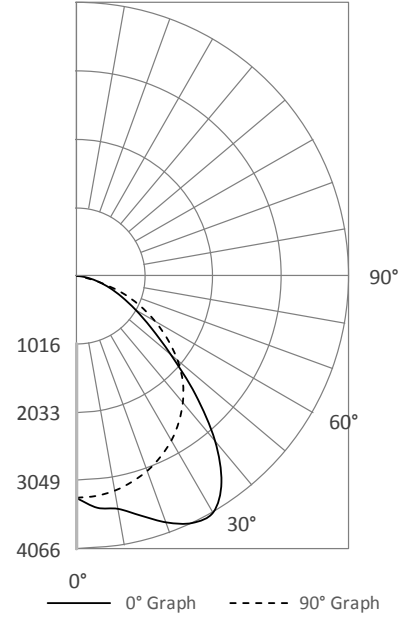
Zonal Lumen Summary

| Zone | Lumens | %Fixt |
|----------|--------|--------|
| 0-30° | 2,710 | 31.7% |
| 0-60° | 7,458 | 87.2% |
| 0-80° | 8,493 | 99.3% |
| 80-90° | 59 | 0.7%* |
| 0-90° | 8,552 | 100.0% |
| 90-110° | 0 | 0.0% |
| 110-180° | 0 | 0.0% |
| 0-180° | 8,552 | 100.0% |

Luminaire Classification Systems (LCS)

| LCS Zone | Lumens | %Lum |
|--------------|--------------|---------------|
| FL 0-30 | 1,491 | 17.4% |
| FM 30-60 | 2,912 | 34.1% |
| FH 60-80 | 775 | 9.1% |
| FVH 80-90 | 49 | 0.6% |
| BL 0-30 | 1,219 | 14.2% |
| BM 30-60 | 1,836 | 21.5% |
| BH 60-80 | 260 | 3.0% |
| BVH 80-90 | 11 | 0.1% |
| UL 90-100 | 0 | 0.0% |
| UH 100-180 | 0 | 0.0% |
| Total | 8,552 | 100.0% |
| BUG Rating | B3-U0-G1 | |

180° Polar Graph



* 80-90° glare zone is calculated by dividing the lumens in that zone by the lumen total in the 0-90° zone

EWPFC-15L-LKFS

Luminaire Data

| | |
|-----------------------------|---|
| Description | Full Cut Off Wall Pack 15L 5K - LKFS |
| Total Lumens | 16,374 |
| Input Wattage | 116 |
| Efficacy (lm/W) | 141 |
| Max. Cd. | 7769.7 (360H, 29V) |
| IES Classification | Type II |
| Longitudinal Classification | Very Short |

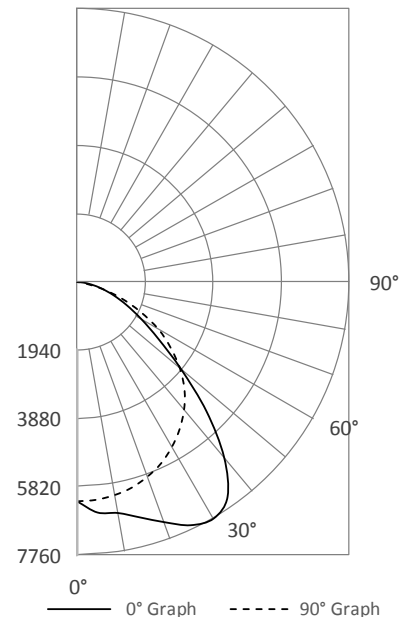
Zonal Lumen Summary

| Zone | Lumens | %Fixt |
|----------|--------|--------|
| 0-30° | 5,099 | 31.1% |
| 0-60° | 14,192 | 86.7% |
| 0-80° | 16,244 | 99.2% |
| 80-90° | 130 | 0.8%* |
| 0-90° | 16,374 | 100.0% |
| 90-110° | 0 | 0.0% |
| 110-180° | 0 | 0.0% |
| 0-180° | 16,374 | 100.0% |

Luminaire Classification Systems (LCS)

| LCS Zone | Lumens | %Lum |
|--------------|---------------|--------------|
| FL 0-30 | 2,800 | 17.1% |
| FM 30-60 | 5,696 | 34.8% |
| FH 60-80 | 1,582 | 9.7% |
| FVH 80-90 | 114 | 0.7% |
| BL 0-30 | 2,299 | 14.0% |
| BM 30-60 | 3,398 | 20.8% |
| BH 60-80 | 470 | 2.9% |
| BVH 80-90 | 16 | 0.1% |
| UL 90-100 | 0 | 0.0% |
| UH 100-180 | 0 | 0.0% |
| Total | 16,374 | 99.9% |
| BUG Rating | B3-U0-G2 | |

180° Polar Graph



* 80-90° glare zone is calculated by dividing the lumens in that zone by the lumen total in the 0-90° zone