

## EWPE-LKFS

### Economy Wall Pack – Lumen & Kelvin Field Selectable

#### STANDARD



#### FEATURES

- Field selectable 3000k (warm white), 4000k (neutral white), and 5000k (cool white) color temperatures.\*
- Long-life LEDs provide at least 70% of initial lumen output ( $L_{70}$ ) for  $\geq 156,000$  hours of operation, and at least 90% of initial lumen output ( $L_{90}$ ) for  $\geq 47,000$  hours of operation.\*
- LED chromaticity based on  $\leq 5$ -step ANSI quadrangles.
- LED color maintenance  $\leq 0.003$  chromaticity shift ( $\Delta u'v'$ ) over the initial 6,000 hours of operation.
- Provides a range of 1,900 to 3,300 nominal lumens and 126 to 145 nominal lumens per watt (lm/W).
- 0-10vdc dimming drivers are standard.
- Universal 120-277 AC voltage (50-60Hz) is standard.
- Power factor  $> 0.90$ .
- Total harmonic distortion  $< 20\%$ .
- Color rendering index ( $R_a$ )  $> 80$ .
- Integral photocell is standard.
- Cast aluminum housing with dark bronze, powder coat finish.
- Diffused polycarbonate lens.
- One  $\frac{1}{2}$ " NPT threaded opening.
- Easy installation in new construction or retrofit applications.

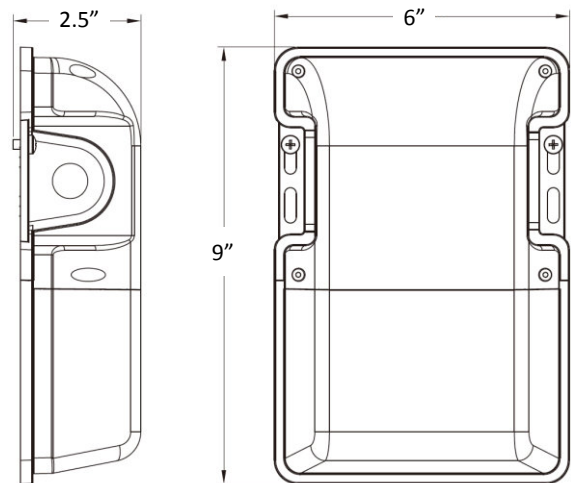
\* Contact factory for other color temperatures and lumen packages.  
 \*\*  $L_{70}$  &  $L_{90}$  hours are IES TM-21-11 calculated hours.



#### WARRANTY & LISTINGS

- cULus listed for wet locations in ambient temperatures from  $-20^{\circ}\text{C}$  to  $50^{\circ}\text{C}$  ( $-4^{\circ}\text{F}$  to  $122^{\circ}\text{F}$ ).
- IP65 rated for ingress protection.
- DLC premium approved.
- Complies with FCC Part 15, class B.
- Surge protection = 4kV.
- 5-year warranty of all electronics and housing.

#### DIMENSIONS



Weight: 1.5 lbs

#### ORDERING INFORMATION

Example: EWPE-3L-LKFS

Series	Nominal Lumen Output		Select
EWPE	3L	3,000 lumens	LKFS

## ELECTRICAL DATA

Series	Measurements	Low Lumens			Mid Lumens			High Lumens		
		3000K	4000K	5000K	3000K	4000K	5000K	3000K	4000K	5000K
EWPE-3L-LKFS	Lumens	1939	2090	2105	2496	2709	2711	3070	3327	3325
	Watts	15	14	15	19	19	19	24	24	24
	Efficacy	132	145	143	129	143	140	126	140	137
	Input Current (A)	120V = 0.13A	120V = 0.12A	120V = 0.13A	120V = 0.16A	120V = 0.16A	120V = 0.16A	120V = 0.20A	120V = 0.20A	120V = 0.20A
		240V = 0.06A	240V = 0.06A	240V = 0.06A	240V = 0.08A	240V = 0.08A	240V = 0.08A	240V = 0.10A	240V = 0.10A	240V = 0.10A
		277V = 0.05A	277V = 0.05A	277V = 0.05A	277V = 0.07A	277V = 0.07A	277V = 0.07A	277V = 0.09A	277V = 0.09A	277V = 0.09A

## PHOTOMETRIC DATA

### EWPE-3L-LKFS

#### Luminaire Data

Description	Economy Wall Pack 3L 5K - LKFS
Total Lumens	3,325
Input Wa <sup>â</sup> ge	24
Efficacy (lm/W)	137
Max. Cd.	914.57 (360H, 24V)
IES Classification	Type IV
Longitudinal Classification	Very Short

#### Luminaire Classification Systems (LCS)

LCS Zone		Lumens	%Lum
FL	0-30	340	10.2%
FM	30-60	887	26.7%
FH	60-80	634	19.1%
FVH	80-90	239	7.2%
BL	0-30	192	5.8%
BM	30-60	267	8.0%
BH	60-80	112	3.4%
BVH	80-90	34	1.0%
UL	90-100	205	6.2%
UH	100-180	415	12.5%
<b>Total</b>		<b>3,325</b>	<b>99.9%</b>
BUG Rating		B1-U3-G3	

#### Zonal Lumen Summary

Zone	Lumens	%Fixt
0-30°	532	16.0%
0-60°	1,686	50.7%
0-80°	2,433	73.2%
80-90°	273	10.1%*
0-90°	2,705	81.4%
90-110°	353	10.6%
110-180°	0	0.0%
0-180°	3,325	100.0%

\* 80-90° glare zone is calculated by dividing the lumens in that zone by the lumen total in the 0-90° zone

#### 180° Polar Graph

