

ETH-A0

LED Area Light
3-Wattages, Wet Rated, 170 lm/W, Dimmable + Smart

FEATURES

Lumen Output	17000 to 51000 lumens
Efficacy	170 lm/W
Input Voltage	120-277V
Dimmable	0-10V Continuous
CCT	4000K, 5000K
Rating	Wet Location
Warranty	5 Years

APPLICATIONS

Premium outdoor luminaire suitable for parking areas, auto dealerships, industrial yards, building exteriors, roadways, alleys, and pedestrian walkways.

CONSTRUCTION

Manufactured for weather-proof durability using solid heavy duty die cast aluminum housing with anti-UV polyester coating to resist water, salt, corrosion, discoloration, and scratching. Wet Location rated. Impact Protection IK10, Neutral Salt Spray Rating Grade 9, Vibration Acceleration Rating 3g.

ELECTRICAL

Input voltages 120-277V models with 0-10V Continuous Dimming. Tunable
 3-Wattages. Operating temperatures -4°F to 122°F (-20°C to 50°C
 Surge Protection Rating 3kV-6.6kV: L-N, 5kV-10kV.

MOUNTING

Adjustable options include Slip-Fit, Round /Square Pole, and Trunnion Mounts.

OPTICS

Anti-UV Clear Polycarbonate IES /NEMA Type 3 Lens standard. Lens Type 2, Type 4, Type 5, and Glare Shield available.

CONTROLS

Fixture integrated Shorting Cap, Photocell, or Microwave Sensor with Daylight Priority available. Remote Control available.

LISTINGS

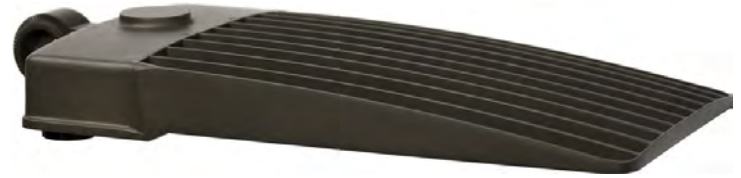
DLC Premium listed. UL certified to meet US and Canadian standards. FCC and RoHS compliant.

WARRANTY

5 year exclusive limited warranty.



Bronze, White, and Black Housing Available



*Mounts available in matching colors

Slip-Fit Mount



Trunnion Mount



Square/ Round Pole Mount



Smart Sensor



Remote Control

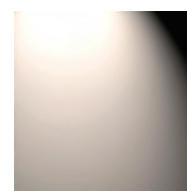


LCD Remote Control



CORRELATED COLOR TEMPERATURES (CCT)

4000K



5000K



ORDERING INFORMATION

Model	Wattage	Voltage	Current	Lumens	Efficacy	CCT	Dimming	Color	Dimensions
ETH-A0-200-150-100-4K	(100W, 150W, 200W)	120-277V	0.92A@120V, 0.40A@277V 1.38A@120V, 0.60A@277V 1.83A@120V, 0.79A@277V	17000 25500 34000	170 lm/W	4000K	0-10V	Bronze	17.91"L x 12.40"W x 2.55"H
ETH-A0-200-150-100-5K	(100W, 150W, 200W)	120-277V	0.92A@120V, 0.40A@277V 1.38A@120V, 0.60A@277V 1.83A@120V, 0.79A@277V	17000 25500 34000	170 lm/W	5000K	0-10V	Bronze	17.91"L x 12.40"W x 2.55"H
ETH-A0-300-260-240-4K	(240W, 260W, 300W)	120-277V	2.20A@120V, 0.95A@277V 2.38A@120V, 1.03A@277V 2.75A@120V, 1.19A@277V	40800 44200 51000	170 lm/W	4000K	0-10V	Bronze	22.79"L x 12.40"W x 2.55"H
ETH-A0-300-260-240-5K	(240W, 260W, 300W)	120-277V	2.20A@120V, 0.95A@277V 2.38A@120V, 1.03A@277V 2.75A@120V, 1.19A@277V	40800 44200 51000	170 lm/W	5000K	0-10V	Bronze	22.79"L x 12.40"W x 2.55"H
ETH-A0-200-150-100-5K-WH	(100W, 150W, 200W)	120-277V	0.92A@120V, 0.40A@277V 1.38A@120V, 0.60A@277V 1.83A@120V, 0.79A@277V	17000 25500 34000	170 lm/W	5000K	0-10V	White	17.91"L x 12.40"W x 2.55"H
ETH-A0-300-260-240-5K-WH	(240W, 260W, 300W)	120-277V	2.20A@120V, 0.95A@277V 2.38A@120V, 1.03A@277V 2.75A@120V, 1.19A@277V	40800 44200 51000	170 lm/W	5000K	0-10V	White	22.79"L x 12.40"W x 2.55"H
ETH-A0-200-150-100-5K-BK	(100W, 150W, 200W)	120-277V	0.92A@120V, 0.40A@277V 1.38A@120V, 0.60A@277V 1.83A@120V, 0.79A@277V	17000 25500 34000	170 lm/W	5000K	0-10V	Black	17.91"L x 12.40"W x 2.55"H
ETH-A0-300-260-240-5K-BK	(240W, 260W, 300W)	120-277V	2.20A@120V, 0.95A@277V 2.38A@120V, 1.03A@277V 2.75A@120V, 1.19A@277V	40800 44200 51000	170 lm/W	5000K	0-10V	Black	22.79"L x 12.40"W x 2.55"H

SPECIFICATIONS

ENERGY DATA

Input Voltage: 120-277V
Input Frequency: 50/60 Hz
Wattage: 3-Wattages (200W Max, 300W Max) **Power Factor:** >0.9
Total Harmonic Distortion (THD): <15%
Operating Temperature: -4°F to 122°F (-20°C to 50°C)

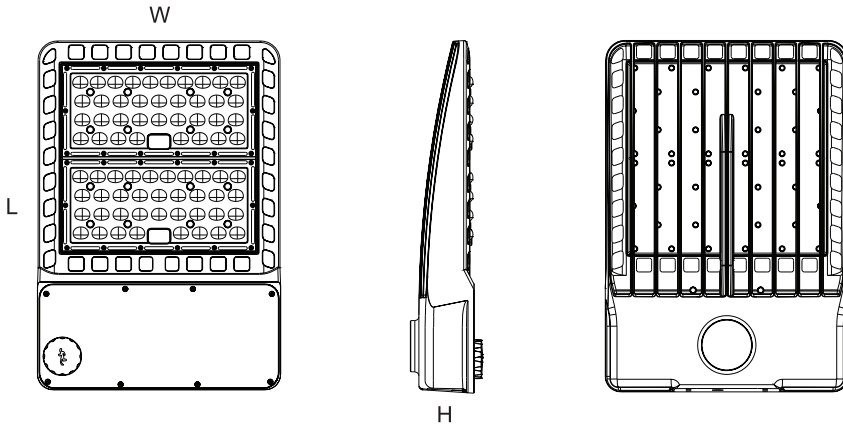
LIGHTING DATA

Lumens: 17000 to 51000
Lumens Per Watt: 170 lm/W
Correlated Color Temperature (CCT): 4000K, 5000K **Dimmable:** 0-10V
Color Rendering Index (CRI): >70
L70: 75000 hours

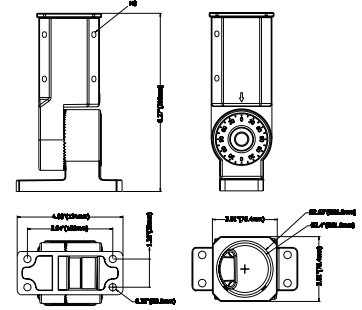
Optics	Mount	Control
T2 Type II Lens	A0-SF Slip-Fit Mount (Bronze)	HDPC Photocell Sensor Cap
T4 Type IV Lens	A0-PM Square or Round Adjustable Pole Mount	HD06VCRH 3 Microwave Sensor Cap with Daylight Priority
T5 Type V Lens	A0-TR (Bronze) Trunnion Mount (Bronze)	HD03R Remote Control for Smart Sensor Settings
A0-GS Glare Shield	A0-SF-WH Slip-Fit Mount (White)	HD05R Remote Control for Smart Sensor Settings
(Blank) Type III Lens (Standard)	A0-PM-WH Square or Round Adjustable Pole Mount A0-TR-WH (White) Trunnion Mount (White) A0-SF-BK Slip-Fit Mount (Black) A0-PM-BK Square or Round Adjustable Pole Mount A0-TR-BK (Black) Trunnion Mount (Black)	(Blank) w/ LCD None, Shorting Cap

200W Max Model

17.91"L x 12.40"W x 2.55"H

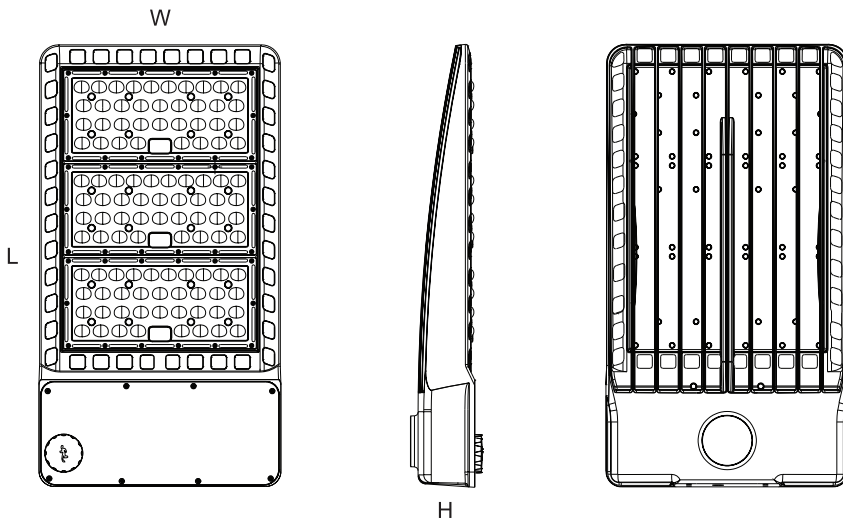


Slip-Fit Mount

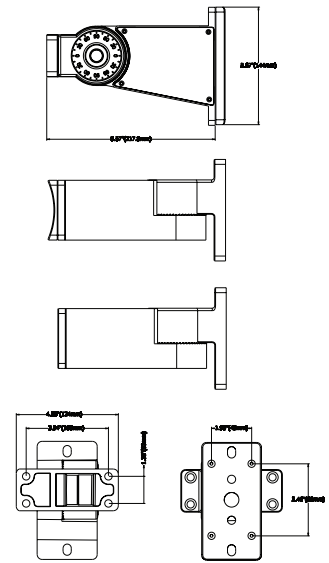


300W Model

22.79"L x 12.40"W x 2.55"H



Round/Square Pole Mount



Trunnion Mount

