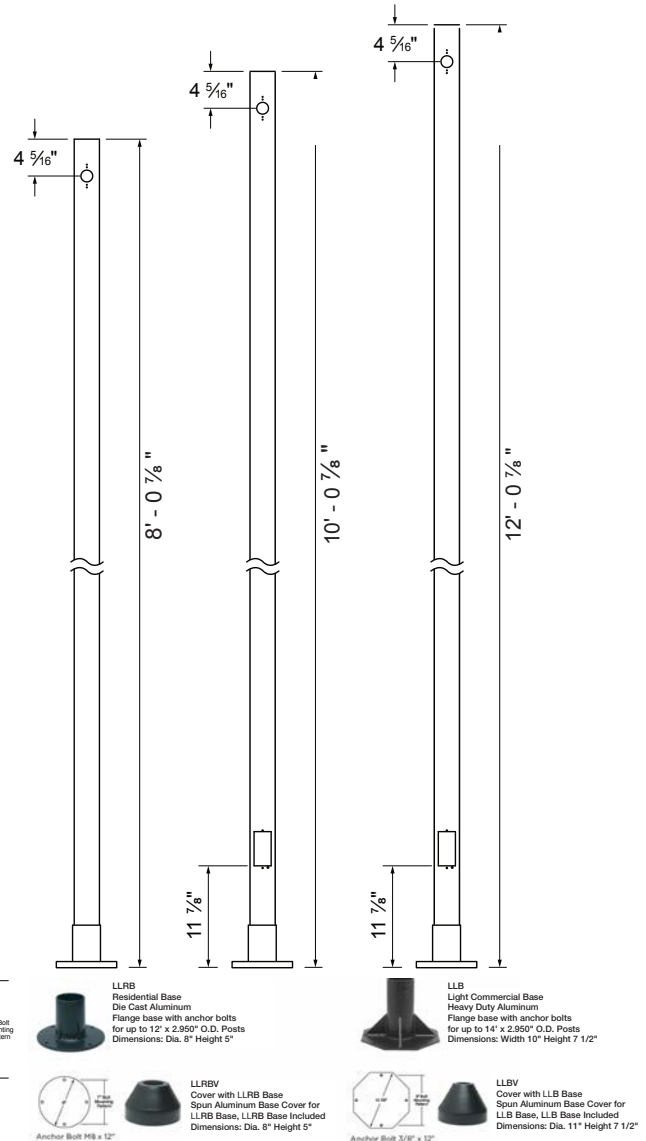


EC-3-SMSR

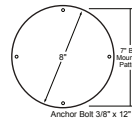
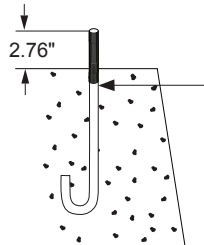
Surface Mount Slip Fit 3" light commercial aluminum posts. Smooth wall style in 8', 10', and 12'. Available in Black, White, and Bronze. Base is independent of post.

- Wall Thickness:** 0.072 in
- Butt Diameter:** 3 in
- Top Outer Diameter:** 2.95 in
- Base Diameter:** 10 7/8 in
- Bolt Circle:** 9 in
- Bolt Projection:** 2.5 in
- Bolt Size:** 1.68 x 11.81 in
- Net Weight:** 8'= 6.25lbs, 10'= 7.81lbs, 12'=9.73lbs
- Hand Hole:** Standard on 10' and 12' poles. 2" x 4" with Cover (hardware, tamper proof screws, & ground wire included).



Anchor Bolts:

BOLTS & TEMPLATE INCLUDED
 (4 ea.) 1.66" x 11.81" Galvanized Steel Anchor Bolts
 AASHTO M314-90 Grade 55 Threaded End Galvanized
 Per ASTM A153 With (4 ea.) Galvanized Steel Leveling Hex Nuts, (4 ea.) Fastening Hex Nuts, and (8 ea.) Washers.
 INSTALL IN REINFORCED CONCRETE (BY OTHERS)



Ordering Information

Part #	Length	Finish	Options
EC-3-SMSR Smooth Aluminum Extruded Pole	8= 8' Pole 10= 10' Pole 12= 12' Pole	BLK- Black WHT- White BRZ- Bronze	RB- Residential Base RBV- Cover with LLRB Base B- Light Commercial Base VB- Cover with LLB Base HH- Hand Hole for 8' Post (Standard on 10 and 12')

Maximum EPA (ft²)

Length	110 MPH	115 MPH	120 MPH	130 MPH	140 MPH	150 MPH	160 MPH	170 MPH	10 MPH
8	2.50	2.25	2.00	1.50	1.00	0.75	0.50	N/A	N/A
10'	1.50	1.25	1.00	0.75	0.50	0.25	N/A	N/A	N/A
12'	0.75	0.50	0.50	N/A	N/A	N/A	N/A	N/A	N/A