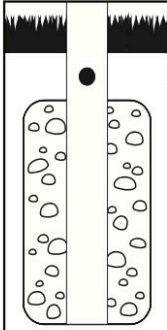
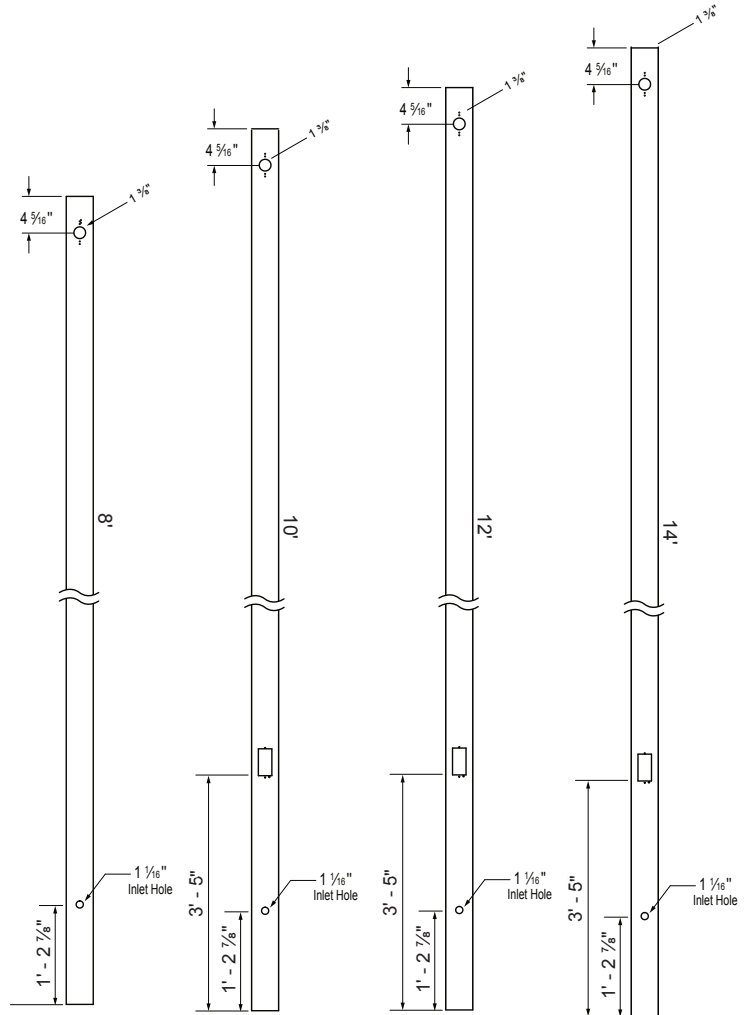


EC-3-DB

Direct Burial 3" light commercial aluminum posts. Smooth wall style in 8', 10', 12' and 14'. Available in Black, White, and Bronze.

Wall Thickness: 0.072 in
Butt Diameter: 3 in
Top Outer Diameter: 2.95 in
Base Diameter: 3 in
Net Weight: 8'= 6.25lbs, 10'= 7.81lbs, 12'=9.73lbs
 14'=10.93 lbs
Luminary Weight: 100 lbs
Hand Hole: Standard on 10', 12' and 14' poles. 2" x 4" with Cover (hardware, tamper proof screws, & ground wire included).

	POST LENGTH	SUGG. BURIAL DEPTH
	8'	18"
	10'	24"
	12'	24"
	14'	30"



Ordering Information

Part #	Length	Finish	Options
EC-3-DB-S Smooth Aluminum Extruded Pole	8= 8' Pole 10= 10' Pole 12= 12' Pole 14= 14' Pole	BLK- Black WHT- White BRZ- Bronze	HH- Hand Hole for 8' pole (Standard on 10', 12' and 14' Poles)

Maximum EPA (ft²)

Length	110 MPH	115 MPH	120 MPH	130 MPH	140 MPH	150 MPH	160 MPH	170 MPH	10 MPH
8'	2.50	2.25	2.00	1.50	1.25	N/A	N/A	N/A	N/A
10'	1.50	1.25	0.82	0.75	0.50	N/A	N/A	N/A	N/A
12'	0.75	0.50	10.50	0.25	N/A	N/A	N/A	N/A	N/A
14'	0.25	0.17	N/A	N/A	N/A	N/A	N/A	N/A	1\$