

Series EHE | Intelligent Emergency Lighting

Moonlite LED® | LED High Bay Emergency Light with Night Lighting Option

GENERAL DESCRIPTION

A powerful LED fixture designed for very low profile recessed ceiling mount, or optional surface mount, suitable for interior locations, at heights over 40 ft from floor level. Dual function operation in either emergency or optional normal on mode, powered from the Central Battery System at 24VDC.

CONSTRUCTION

- LEDs and electronics encased in a UV stabilized, abrasion-resistant polycarbonate lens with an IP67 rated watertight and dust-proof seal.
- Recessed Mount: faceplate from extruded machined aluminum, available with brushed finish or a variety of satin enamel paint colors.
- Surface Enclosed Mount: steel housing with bracket mount locations and multiple knockouts for wiring connection.
- Optional composite outdoor rated gasket seal for wet location operations.
- 12" Standard pendant option available. Contact factory for other lengths. Kit includes canopy and wire harness.

APPLICATIONS

- **Standard Model:** Maximum Floor Coverage from Ceiling Heights up to 40 Feet and More
- **Wide Angle Lens Option:** Maximum Floor Coverage from a Standard Ceiling Height

ENERGY EFFICIENT OPERATION

- Dual function operation for optional normally on night or security lighting as well as emergency lighting.
- Over 50,000 hour lamp life in normal use.
- IES photometric data available for all models.
- Lamp efficacy: 159 lumens/ watt.

ELECTRONICS

- Operates with Central Battery System including optional low voltage normal lighting operation. See CB data sheet.
- Lamps are connected in parallel. If one string of lamp fails, one or more strings will continue in operation.
- Power supply delivers regulated current and voltage to LED lamps at optimum levels to maximize lamp life.
- LED color temperature 4,700K and CRI of 70. 70% lumen maintenance (L70) at 50,000 hrs.



CODES

- Central battery system listed to UL 924. LED Lamp Assembly ROHS compliant, LM-79 tested, and rated IP67.

WARRANTY

- 10 year total customer satisfaction warranty. For details see product catalog technical data section

POWER/ LUMEN RANGE

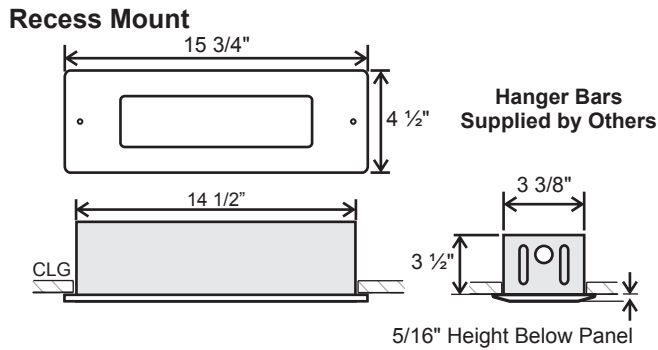
Emergency Power Watts	Wide Angle Lumens	Standard Model Lumens
30	4978	4784

SUGGESTED SPECIFICATIONS:

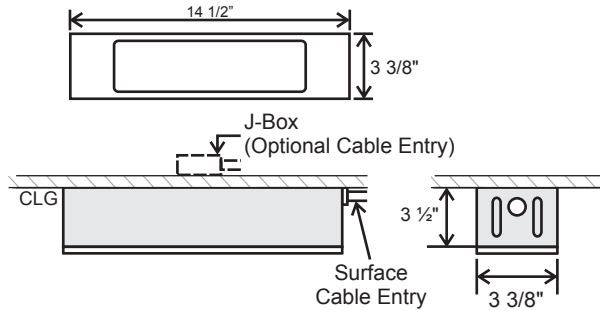
Install MOONLITE® Series EHE High Output LED emergency lighting fixture, available as a remote device connected to a central battery power source or powered from building AC power. See Central Battery System (CBL) data sheet. Upon loss of AC building power in RE models, emergency lighting will be activated for a minimum of 90 minutes under battery power, in compliance with UL 924 and NFPA Life Safety Code 101. The unit may be specified to operate continuously for security or night lighting, as required.

MOUNTING DATA & DIMENSIONS:

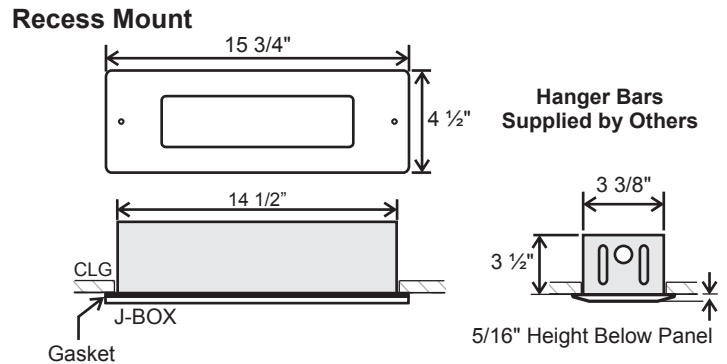
INTERIOR & DAMP LOCATIONS



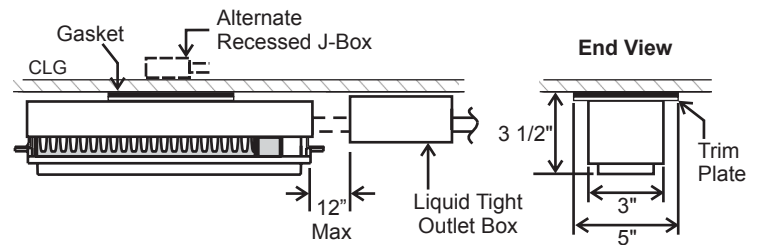
Surface Enclosed Mount Standard



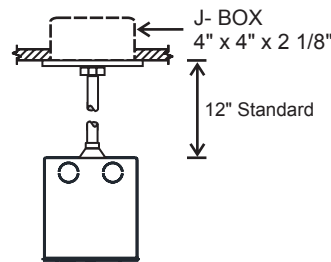
EXTERIOR & WET LOCATIONS



Surface Open Mount



Pendant Mount



ORDERING INFORMATION: EXAMPLE: EHEBB30RW-WA

EHE	BB	30	R	W	—	WA
MODEL SERIES	OPERATION	EMERGENCY POWER RATING (EPR)	MOUNT	TRIM		OPTIONS
EHE	BB= Battery Backup AC= 120/277 VAC Input	30= 30 Watts	R= Recessed S= Surface	W= Satin White A= Aluminum X= Custom		RT= Remote Test Panel SV= Swivel Mount PEN= Pendant Mount* WA= Wide Angle Lens *Standard 12". Contact factory for other sizes.

Specifications and Dimensions subject to change without notice.