

SNL Series

Outdoor Billboard Sign Units

This billboard unit provides high light levels with even distribution, for spot lighting. The unit is weather resistant and suitable for most outdoor applications.

Construction: Powder-coated white aluminum housing with cast-aluminum end plates and a clear acrylic diffuser.

Electrical: All units are furnished with UL Listed Class P thermally protected ballast. Other voltages are available upon request. Fixtures meet requirements for UL Luminaire Standard # 1598. All units comply with National Energy Standard. All units are UL certified damp and wet location

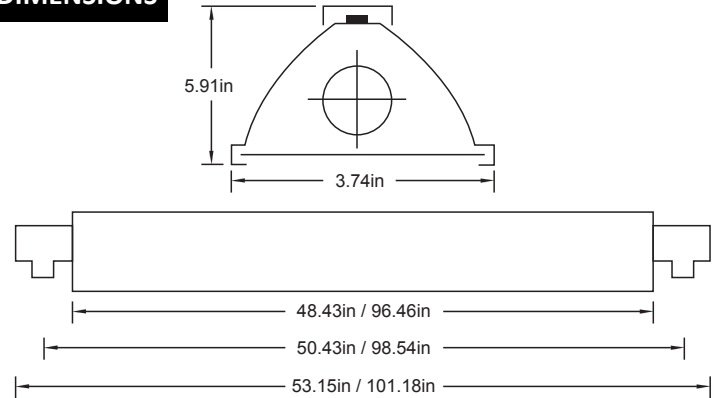
Mounting: Units are designed to be conduit mounted either individually, tandem, or in a continuous run

WARRANTY & LISTINGS:

- 5-year warranty of all electronics and housing.
- UL Certified for wet location
- DLC 5.1



DIMENSIONS



Ordering Guide

SKU	SNL-60-ACL-V4-D-S1			SNL-120-ACL-V8-D-S1		
System Wattage	38W-48W-60W Field Adjustable			76W-96W-120W Field Adjustable		
Efficacy	up to 156 LPW @ High Wattage					
Lumens	8350 lms	9350 lms	8850 lms	16700 lms	18700 lms	17700 lms
	139 LPW	156 LPW	148 LPW	139 LPW	156 LPW	148 LPW
	@3000K, 60W	@4000K, 60W	@5000K, 60W	@3000K, 120W	@4000K, 120W	@5000K, 120W
Input Voltage	120-277Vac / 120-347Vac					
CCT	3000K-4000K-5000K Field Adjustable					
CRI	>80					
Ambient Temp.	-30°C~40°C [-22°F~104°F]					
LED Performance	L70>50000H					
Warranty	5-year warranty (for downlight only)					