

## ELV4

### Spec-grade | Vertical Architectural LED Linear Surface Lighting

Ideal for locations with low ceilings or where fire ratings prevent recessed luminaires. It is integrated with ultra-thin semi-transparent vertical optics, enveloped in a signature sloping silhouette where the frame meets the optics. It enables designers to mount the luminaire on ceilings to enhance architectural styling or add a unique flair to the interior design of a space. With wattage selectable and CCT adjustable function, packing a powerful punch of up to 1600 lumen per foot with 90+CRI.

#### Features:

- 3 lengths & sloping silhouette
- Transparent optics
- Wattage selectable, up to 1600 lm/ft
- True color, 90+CRI
- CCT adjustable from 3000K, 3500K and 4000K

#### STRUCTURE:

**Finish:** Extruded aluminum housing with powder coat white finish or custom.

**Optics:** Ultra-thin semi-transparent vertical optics, enveloped in a signature sloping silhouette where the frame meets the optics.

#### ELECTRICAL:

**Mini Internal LED Driver:** It is powered by Class 2 high efficiency LED driver, with a standard 0-10V dimming which continuous dims to 10% that works with many types of controls. Tested Dimmers: Lutron Diva-Dvtv, Leviton IP-710-DL.

**THD:** <20%

**Power Factor:** >0.9

**Input Voltage:** Standard electronic drivers are UL recognized and available for 110-277V or 110-347V AC\* input voltage.

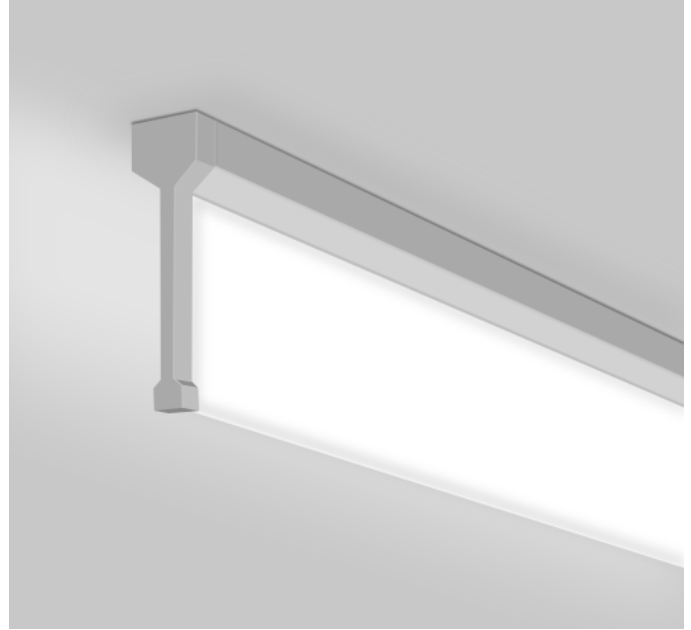
#### LED System:

CRI: Minimum 90 color rendering index.

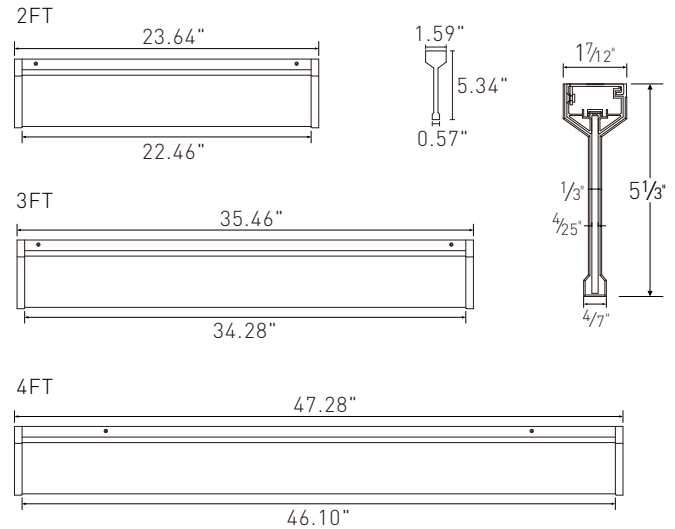
CCT: CCT adjustable from 3000K, 3500K and 4000K

LED: Minimum 50,000h with 87.8% of lumen maintenance in 25° C ambient temperature, in compliance with IES LM-80 testing measurements.

Environment: Damp rated for ambient operating temperature of -20°C to +40°C (-4° to +104°F).



### DIMENSIONS



\*DesignLights Consortium Qualified and classified for DLC standard / premium, refer to www.designlights.org for details

## D9F : CFA5B79

@ a Yb'DUW U Y'

AcXY	@b[ h	K UHU Y	' \$\$\$?	' ) \$\$\$? fb @ 'Ei U]zVUHjcbL ( \$\$\$? fb @ 'Ei U]zVUHjcbL
ŠXI EY GØ	CC	GEY	FFÍ €{ DÆFÍ { €	Fd €{ DÆFÍ { €
ŠXI EY HØ	HC	GEY DHEY D EY ÁV^A&ca^A	í í €dFí €€{ DÆFÍ { €	ì €dFí í €€{ DÆFÍ { €
ŠXI EY I Ø	IC	GEY DHEY D EY ÁV^A&ca^A	í í €dFFí €€{ DÆFÍ { €	î €dFÍ €€{ DÆFÍ { €

EQ|A -Bac k A í Á Áca^A } Áca^A } dOÖVÖ @ & Á @ ÁDÜÁV Á Á ca Á @ Á&& } ca Á ca&E


\*Make to Order means additional cost and/or lead time on customized fixtures may apply. Some fixtures require an MOQ. Please contact your sales rep for more information.

DFC8I7HCF89F-B; ; I 89'

9I Ua d`Y. '9 @ ( !#HK & 'fGi fZMYL

ELV4		I	TW	(Surface)	
Product Series	Driver	CCT	Length & Wattage		Just to remark the mounting. Doesn't show in product label.
ELV4 Meta Surface Linear	I Internal Driver	TW CCT Adjustable 3000K/3500K/4000K	2F 2 Feet,20W	<a href="#">QuickShip</a>	
			3F 3 Feet,20W/30W/40W Selectable	<a href="#">QuickShip</a>	
			4F 4 Feet,20W/30W/40W Selectable	<a href="#">QuickShip</a>	

## OPTIONAL ACCESSORIES

Mounting		Optional Function	
SMK Surface Mounting Kits	<a href="#">QuickShip</a> 	EME Emergency Function (Only external 8w or 25w LED emergency driver with standard indicator available and need field-installed.)	<a href="#">QuickShip</a> 