

ELSO-LED

Surface & Recessed | Architectural LED
 Slim Linear

The revolutionary, sleek design of the LS is aesthetically pleasing to any space. It supports both surface and recessed mounts. It features popular 4", 6" width and 2', 4' length. The ELSO works with most applications which will be your go-to-choice for offices, schools, hospital, corridor light industrial spaces or anywhere stylish lines of light are desired.

Features:

- Ultra thin profile, only 0.94" thickness
- Built-in driver
- Available in 4", 6" width and 2', 4' length
- Wattage selectable (For 4ft)
- CCT adjustable from 3000K, 3500K and 4000K
- Available in surface mounted and recessed

Certifications/Warranty:

- cULus listed for damp locations
- 5-year Limited Warranty

Electrical:

LED Driver Dimming: Internal driver makes it only 0.94" thickness Powered by high efficiency LED driver, with a standard 0-10V dimming which continuous dims to 10% that works with many types of controls. Tested Dimmers: Lutron @ Diva-Dvtv, Leviton® IP-710-DL.

THD: <20%

Power Factor: >0.9

Input Voltage: Standard electronic driver is UL recognized and available for 110-277V or 110-347V AC*.

LED System

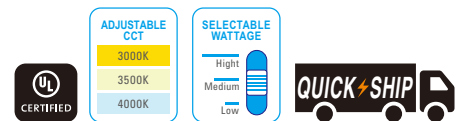
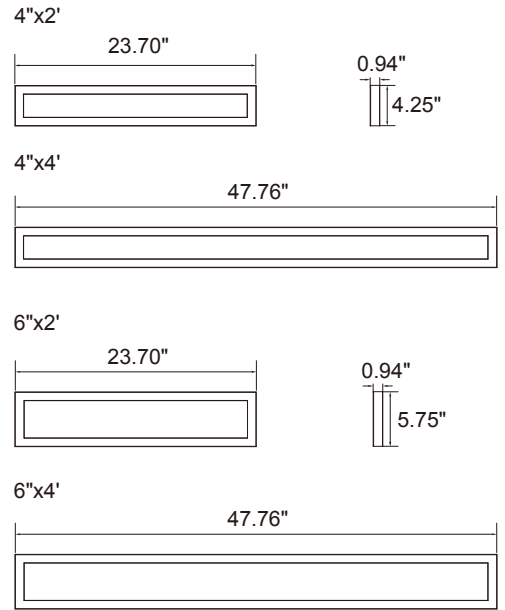
CRI: Minimum 80 color rendering index
CCT: CCT adjustable from 3000K, 3500K and 4000K with a great color consistency.
LED: life inimum 0,000h with U7.U% of lumen maintenance in 2 °C ambient temperature, in compliance with IES L -U0 testing measurements.

Thermal Management: Aluminum housing acting as the heat sink to maximize life.

Construction: Extruded aluminum housing.



DIMENSION



ORDERING GUIDE

Example: ELSO-LED24-TWT

ELSO-LED

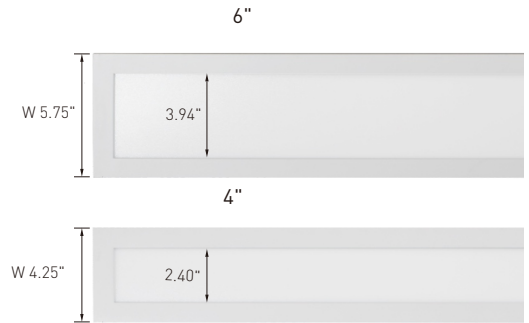
Product Series	Length	Width	CCT
ELSO-LED	2 QuickShip 2FT, 20W Up to 1600lm for 4inch width, 1700lm for 6inch width	4 QuickShip 4 inch	TWT QuickShip CCT adjustable 3000K/3500K/4000K
Slim Surface Linear	4 QuickShip 4FT, 40W/30W/20W Selectable Up to 3200lm for 4inch width, 3800lm for 6inch width	6 QuickShip 6 inch	

*Make to Order means additional cost and/or lead time on customized fixtures may apply. Some fixtures require an MOQ. Please contact your sales rep for more information.

PERFORMANCE

Width	Length	Wattage Selectable	Efficacy@4000K	Lumen@4000K
4inch	2ft	20W(Fixed)	80lm/w,800lm/ft	1600lm
	4ft	40W/30W/20W	80lm/w,800lm/ft	3200lm
6inch	2ft	20W(Fixed)	85lm/w,850lm/ft	1700lm
	4ft	40W/30W/20W	95lm/w,950lm/ft	3800lm

All efficacy is ±5% base on different CCT. Check the IES file to gain the accurate data .



OPTIONS

Mounting Option	Optional Function
-----------------	-------------------

SM QuickShip
 Surface-Surface Mounted Kit (Standard)
 This metal plate is equipped with screw holes for bolting to the ceiling, and 4 small static corner hooks on the mounting plate.



EME QuickShip
 Emergency Function
 (Only external 8w or 25w LED emergency driver with standard indicator available and need field-installed.)



RE QuickShip
 Recessed - Driver Box (Order Separated)
 This metal box is equipped with screw holes for bolting to the fixture to protect wires.

